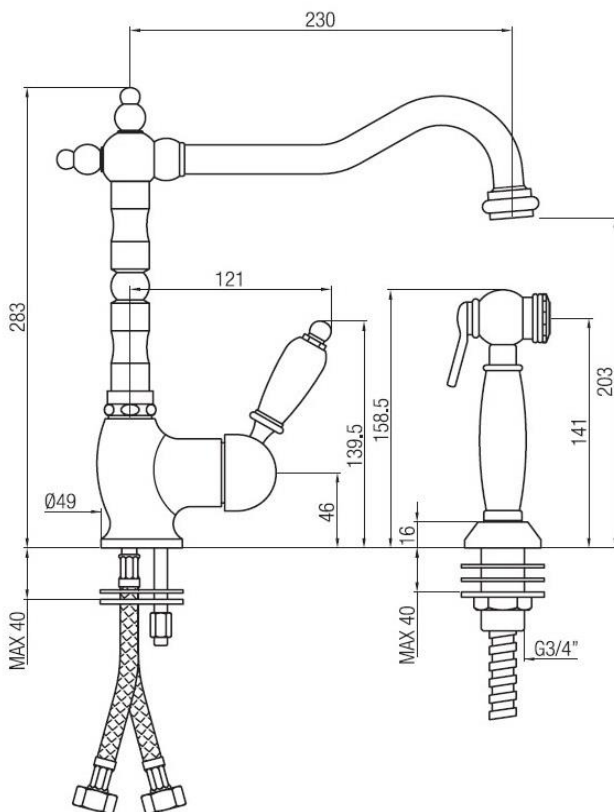


Sink bridge set Marea ceramic valve

Codice: **50478**

**FUNCTIONAL DATA**

SCOPE OF APPLICATION: sink  
 TYPE OF PROJECT: residential  
 FURNISHING STYLE: classic  
 TYPE OF DISPENSING: single (fixed aerator)  
 SPOUT: 360° swivel  
 WASTE: sold separately



**CONSTRUCTION DATA**

TYPE OF MATERIAL: brass  
 TYPE OF FIXING: deck-mounted  
 TYPE OF VALVE: ceramic disc cartridge  
 ANGLE OF ROTATION: 90°  
 SUPPLY CONNECTION: 3/8" stainless steel hose  
 SPOUT SPACING: 230 mm  
 NUMBER OF INSTALLATION HOLES: 1  
 DIAMETER OF INSTALLATION HOLE: 35 mm

**AVAILABLE COLOURS**

- Chrome
- Natural brass
- Satin bronze
- Old nickel
- Gold

**HYDRAULIC PERFORMANCES**

OPTIMAL SUPPLY PRESSURE: 3 bar  
 MAXIMUM HOT WATER TEMPERATURE: 80°  
 RECOMMENDED MAX. HOT WATER TEMPERATURE: 60°

**WARRANTY**

See current price list

**MAINTENANCE**

DO NOT use scouring pads or cleaning agents containing alcohol, chlorine, acids, abrasives or similar. Use of any of the prohibited cleaning or maintenance products could damage the faucet surface. Use ONLY soap and water to clean the surface, then dry with a cloth or towel. Do not use abrasive or rough sponges.

Porta & Bini reserves the right to make any changes to its products without prior notice. The dimensions depicted within the graphic representations are to be considered indicative and subject to possible variation. If you have any questions, please contact your authorised Porta & Bini supplier.

**Porta & Bini Srl Faucet Company**

Via per Alzo 60, 28017  
 San Maurizio d'Opaglio NO  
 www.portaebini.it