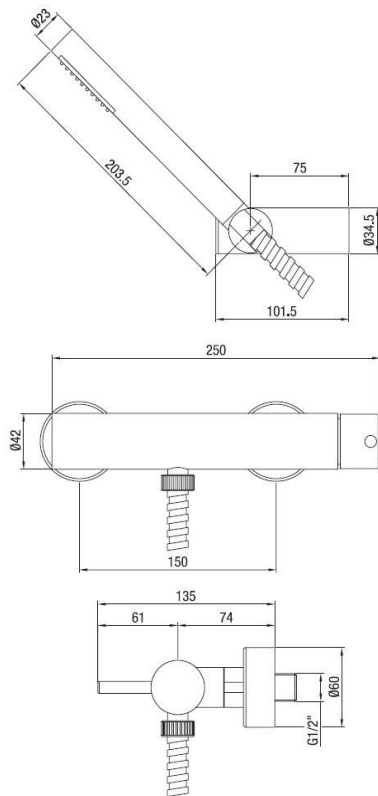


External shower mixer with shower kit  
Codice: **35140****FUNCTIONAL DATA**

SCOPE OF APPLICATION: shower  
TYPE OF PROJECT: residential  
FURNISHING STYLE: modern  
FLOW REGULATION: suitable  
TYPE OF DISPENSING: single

**CONSTRUCTION DATA**

TYPE OF MATERIAL: brass  
TYPE OF FIXING: wall-mounted  
TYPE OF VALVE: ceramic disc cartridge  
ANGLE OF ROTATION: 90°  
SUPPLY CONNECTION: 1/2"  
OPTIONAL: limited flow regulator 8 litres/min - 1,5 GPM

**AVAILABLE COLOURS**

Chrome  
Black matt  
Satin bronze  
Dark copper  
Satin nichel  
PVD Ultrasatin copper  
PVD Ultrasatin brass

**HYDRAULIC PERFORMANCES**

OPTIMAL SUPPLY PRESSURE: 3 bar  
MAXIMUM HOT WATER TEMPERATURE: 80°  
RECOMMENDED MAX. HOT WATER TEMPERATURE:  
60°

**WARRANTY**

See current price list

**MAINTENANCE**

DO NOT use scouring pads or cleaning agents containing alcohol, chlorine, acids, abrasives or similar. Use of any of the prohibited cleaning or maintenance products could damage the faucet surface. Use ONLY soap and water to clean the surface, then dry with a cloth or towel. Do not use abrasive or rough sponges.

Porta & Bini reserves the right to make any changes to its products without prior notice. The dimensions depicted within the graphic representations are to be considered indicative and subject to possible variation. If you have any questions, please contact your authorised Porta & Bini supplier.

**Porta & Bini Srl Faucet Company**

Via per Alzo 60, 28017  
San Maurizio d'Opaglio NO  
[www.portaebini.it](http://www.portaebini.it)