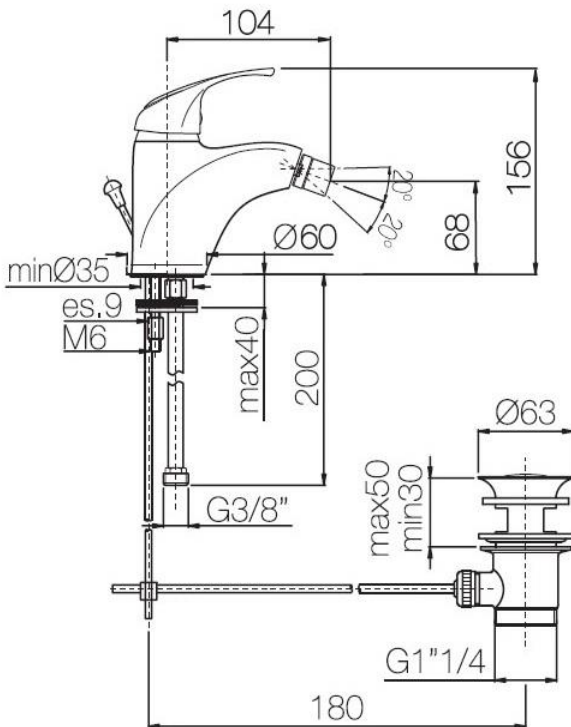


Medium single lever bidet mixer with pop up waste
Codice: **22122**

FUNCTIONAL DATA

SCOPE OF APPLICATION: bidet
TYPE OF PROJECT: residential
FURNISHING STYLE: contemporary, vintage
FLOW REGULATION: suitable
TEMPERATURE REGULATION: suitable
TYPE OF DISPENSING: adjustable
WASTE: automatic cap 1" 1/4

**CONSTRUCTION DATA**

TYPE OF MATERIAL: brass
TYPE OF FIXING: deck-mounted
TYPE OF VALVE: ceramic disc cartridge
ANGLE OF ROTATION: 90°
SUPPLY CONNECTION: 3/8" stainless steel hose
SPOUT SPACING: 104 mm
NUMBER OF INSTALLATION HOLES: 1
DIAMETER OF INSTALLATION HOLE: 35 mm
OPTIONAL: water saving cartridge, limited flow aerator
5 litres/min - 1,5 GPM

AVAILABLE COLOURS

Chrome
White colored

HYDRAULIC PERFORMANCES

OPTIMAL SUPPLY PRESSURE: 3 bar
MAXIMUM HOT WATER TEMPERATURE: 80°
RECOMMENDED MAX. HOT WATER TEMPERATURE:
60°

WARRANTY

See current price list

MAINTENANCE

DO NOT use scouring pads or cleaning agents containing alcohol, chlorine, acids, abrasives or similar. Use of any of the prohibited cleaning or maintenance products could damage the faucet surface. Use ONLY soap and water to clean the surface, then dry with a cloth or towel. Do not use abrasive or rough sponges.

Porta & Bini reserves the right to make any changes to its products without prior notice. The dimensions depicted within the graphic representations are to be considered indicative and subject to possible variation. If you have any questions, please contact your authorised Porta & Bini supplier.

Porta & Bini Srl Faucet Company

Via per Alzo 60, 28017
San Maurizio d'Opaglio NO
www.portaebini.it