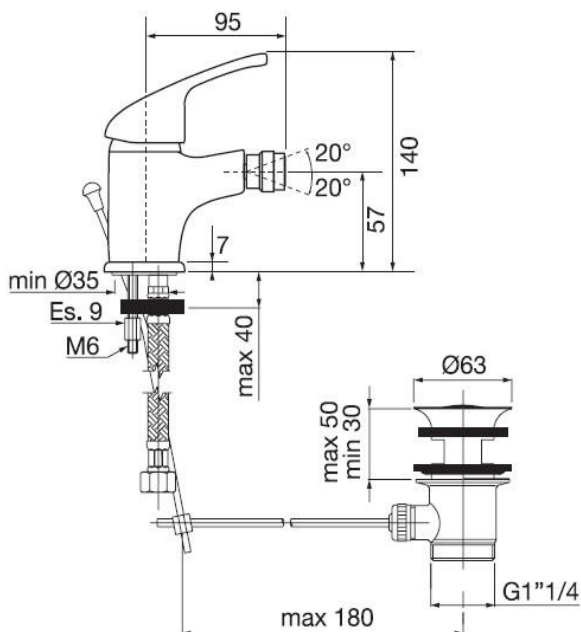


Single lever bidet mixer with pop up waste  
Codice: **22120**

**FUNCTIONAL DATA**

SCOPE OF APPLICATION: bidet  
TYPE OF PROJECT: residential  
FURNISHING STYLE: contemporary, vintage  
FLOW REGULATION: suitable  
TEMPERATURE REGULATION: suitable  
TYPE OF DISPENSING: adjustable  
WASTE: automatic cap 1" 1/4

**CONSTRUCTION DATA**

TYPE OF MATERIAL: brass  
TYPE OF FIXING: deck-mounted  
TYPE OF VALVE: ceramic disc cartridge  
ANGLE OF ROTATION: 90°  
SUPPLY CONNECTION: 3/8" stainless steel hose  
SPOUT SPACING: 95 mm  
NUMBER OF INSTALLATION HOLES: 1  
DIAMETER OF INSTALLATION HOLE: 35 mm  
OPTIONAL: water saving cartridge, limited flow aerator  
5 litres/min - 1,5 GPM

**AVAILABLE COLOURS**

Chrome  
White colored

**HYDRAULIC PERFORMANCES**

OPTIMAL SUPPLY PRESSURE: 3 bar  
MAXIMUM HOT WATER TEMPERATURE: 80°  
RECOMMENDED MAX. HOT WATER TEMPERATURE:  
60°

**WARRANTY**

See current price list

**MAINTENANCE**

DO NOT use scouring pads or cleaning agents containing alcohol, chlorine, acids, abrasives or similar. Use of any of the prohibited cleaning or maintenance products could damage the faucet surface. Use ONLY soap and water to clean the surface, then dry with a cloth or towel. Do not use abrasive or rough sponges.

Porta & Bini reserves the right to make any changes to its products without prior notice. The dimensions depicted within the graphic representations are to be considered indicative and subject to possible variation. If you have any questions, please contact your authorised Porta & Bini supplier.

**Porta & Bini Srl Faucet Company**

Via per Alzo 60, 28017  
San Maurizio d'Opaglio NO  
www.portaebini.it