

Single lever bath mixer with shower kit

Codice: 15100

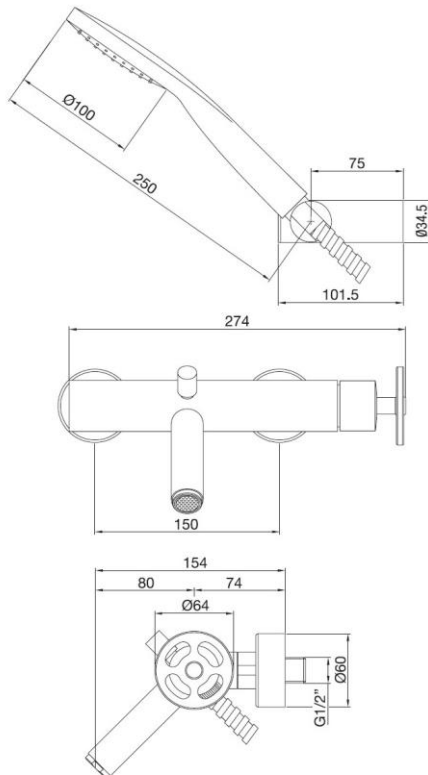
FUNCTIONAL DATA

SCOPE OF APPLICATION: bathtub

TYPE OF PROJECT: residential

FURNISHING STYLE: urban industrial

TYPE OF DISPENSING: double (hand shower and aerator)

**CONSTRUCTION DATA**

TYPE OF MATERIAL: brass

TYPE OF FIXING: wall-mounted

TYPE OF VALVE: ceramic disc cartridge

ANGLE OF ROTATION: 90°

SUPPLY CONNECTION: 1/2"

SPOUT SPACING: 150 mm

AVAILABLE COLOURS

Chrome

Natural brass

Chrome red handle

Chrome blue handle

Chrome turquoise handle

Black matt

Satin bronze

Dark copper

Satin nichel

Graphite

PVD Ultrasatin copper

PVD Ultrasatin brass

HYDRAULIC PERFORMANCES

OPTIMAL SUPPLY PRESSURE: 3 bar

MAXIMUM HOT WATER TEMPERATURE: 80°

RECOMMENDED MAX. HOT WATER TEMPERATURE:

60°

WARRANTY

See current price list

MAINTENANCE

DO NOT use scouring pads or cleaning agents containing alcohol, chlorine, acids, abrasives or similar. Use of any of the prohibited cleaning or maintenance products could damage the faucet surface. Use ONLY soap and water to clean the surface, then dry with a cloth or towel. Do not use abrasive or rough sponges.

Porta & Bini reserves the right to make any changes to its products without prior notice. The dimensions depicted within the graphic representations are to be considered indicative and subject to possible variation. If you have any questions, please contact your authorised Porta & Bini supplier.

Porta & Bini Srl Faucet Company

Via per Alzo 60, 28017

San Maurizio d'Opaglio NO

www.portaebini.it