

Concealed shower set with diverter three outlets

Codice: 12232

FUNCTIONAL DATA

SCOPE OF APPLICATION: shower

TYPE OF PROJECT: residential

FURNISHING STYLE: classic

**CONSTRUCTION DATA**

TYPE OF MATERIAL: brass

TYPE OF FIXING: wall-mounted

TYPE OF VALVE: ceramic disc screw

ANGLE OF ROTATION: 90°

SUPPLY CONNECTION: 1/2"

AVAILABLE COLOURS

Chrome

Natural brass

Chrome gold

Satin bronze

Copper

Dark bronze

Dark copper

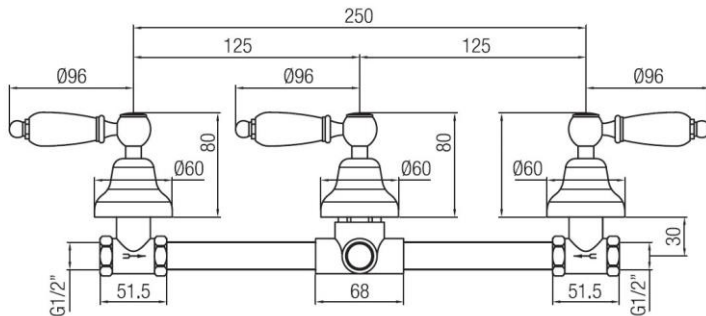
Old nickel

Gold

HYDRAULIC PERFORMANCES

OPTIMAL SUPPLY PRESSURE: 3 bar

MAXIMUM HOT WATER TEMPERATURE: 80°

RECOMMENDED MAX. HOT WATER TEMPERATURE:
60°**WARRANTY**

See current price list

MAINTENANCE

DO NOT use scouring pads or cleaning agents containing alcohol, chlorine, acids, abrasives or similar. Use of any of the prohibited cleaning or maintenance products could damage the faucet surface. Use ONLY soap and water to clean the surface, then dry with a cloth or towel. Do not use abrasive or rough sponges.

Porta & Bini reserves the right to make any changes to its products without prior notice. The dimensions depicted within the graphic representations are to be considered indicative and subject to possible variation. If you have any questions, please contact your authorised Porta & Bini supplier.

Porta & Bini Srl Faucet Company

Via per Alzo 60, 28017

San Maurizio d'Opaglio NO

www.portaebini.it