

Sink bridge set with swivel spout Marea ceramic valve

Codice: 12175

FUNCTIONAL DATA

SCOPE OF APPLICATION: sink

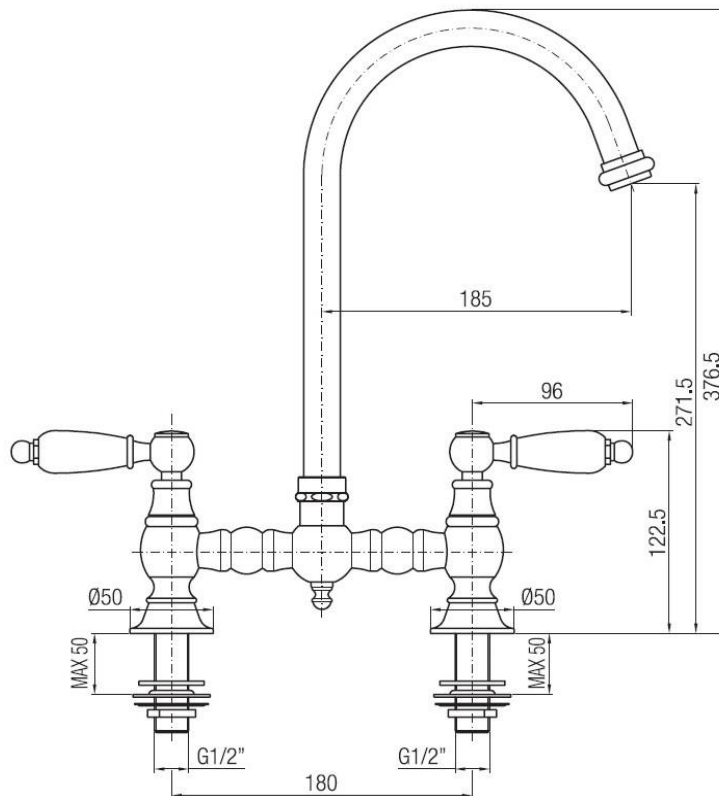
TYPE OF PROJECT: residential

FURNISHING STYLE: classic

TYPE OF DISPENSING: single (fixed aerator)

SPOUT: 360° swivel

WASTE: sold separately

**CONSTRUCTION DATA**

TYPE OF MATERIAL: brass

TYPE OF FIXING: deck-mounted

TYPE OF VALVE: ceramic disc screw

ANGLE OF ROTATION: 90°

SUPPLY CONNECTION: 1/2"

SPOUT SPACING: 185 mm

NUMBER OF INSTALLATION HOLES: 2

DIAMETER OF INSTALLATION HOLE: 21 mm

SPACING OF INSTALLATION HOLES: 180 mm

AVAILABLE COLOURS

Chrome

Natural brass

Satin bronze

Old nickel

Gold

HYDRAULIC PERFORMANCES

OPTIMAL SUPPLY PRESSURE: 3 bar

MAXIMUM HOT WATER TEMPERATURE: 80°

RECOMMENDED MAX. HOT WATER TEMPERATURE:
60°**WARRANTY**

See current price list

MAINTENANCE

DO NOT use scouring pads or cleaning agents containing alcohol, chlorine, acids, abrasives or similar. Use of any of the prohibited cleaning or maintenance products could damage the faucet surface. Use ONLY soap and water to clean the surface, then dry with a cloth or towel. Do not use abrasive or rough sponges.

Porta & Bini reserves the right to make any changes to its products without prior notice. The dimensions depicted within the graphic representations are to be considered indicative and subject to possible variation. If you have any questions, please contact your authorised Porta & Bini supplier.

Porta & Bini Srl Faucet Company

Via per Alzo 60, 28017

San Maurizio d'Opaglio NO

www.portaebini.it