

Single hole Old Fashion sink tap ceramic valve

Codice: 12170

**FUNCTIONAL DATA**

SCOPE OF APPLICATION: sink

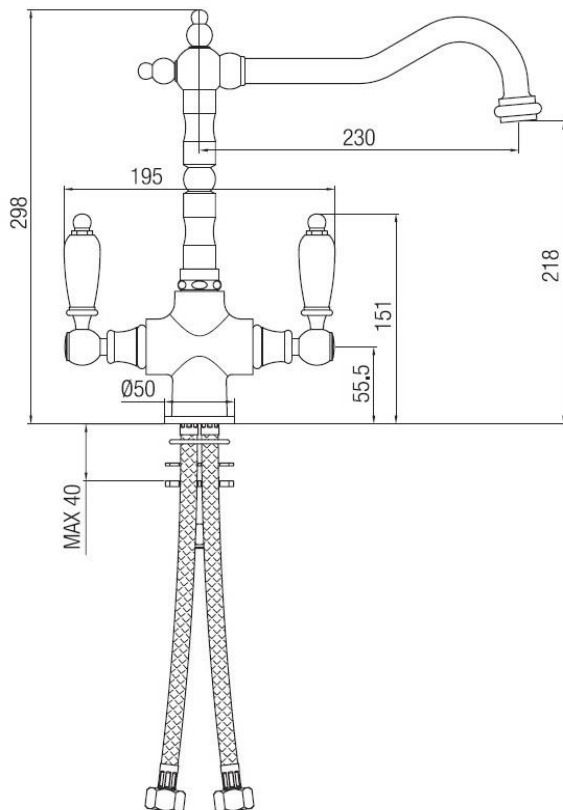
TYPE OF PROJECT: residential

FURNISHING STYLE: classic

TYPE OF DISPENSING: single (fixed aerator)

SPOUT: 360° swivel

WASTE: sold separately

**CONSTRUCTION DATA**

TYPE OF MATERIAL: brass

TYPE OF FIXING: deck-mounted

TYPE OF VALVE: ceramic disc screw

ANGLE OF ROTATION: 90°

SUPPLY CONNECTION: 3/8" stainless steel hose

SPOUT SPACING: 235 mm

NUMBER OF INSTALLATION HOLES: 1

DIAMETER OF INSTALLATION HOLE: 35 mm

**AVAILABLE COLOURS**

Chrome

Natural brass

Satin bronze

Copper

Old nickel

Gold

**HYDRAULIC PERFORMANCES**

OPTIMAL SUPPLY PRESSURE: 3 bar

MAXIMUM HOT WATER TEMPERATURE: 80°

RECOMMENDED MAX. HOT WATER TEMPERATURE:

60°

**WARRANTY**

See current price list

**MAINTENANCE**

DO NOT use scouring pads or cleaning agents containing alcohol, chlorine, acids, abrasives or similar. Use of any of the prohibited cleaning or maintenance products could damage the faucet surface. Use ONLY soap and water to clean the surface, then dry with a cloth or towel. Do not use abrasive or rough sponges.

Porta & Bini reserves the right to make any changes to its products without prior notice. The dimensions depicted within the graphic representations are to be considered indicative and subject to possible variation. If you have any questions, please contact your authorised Porta & Bini supplier.

**Porta & Bini Srl Faucet Company**

Via per Alzo 60, 28017

San Maurizio d'Opaglio NO

[www.portaebini.it](http://www.portaebini.it)