

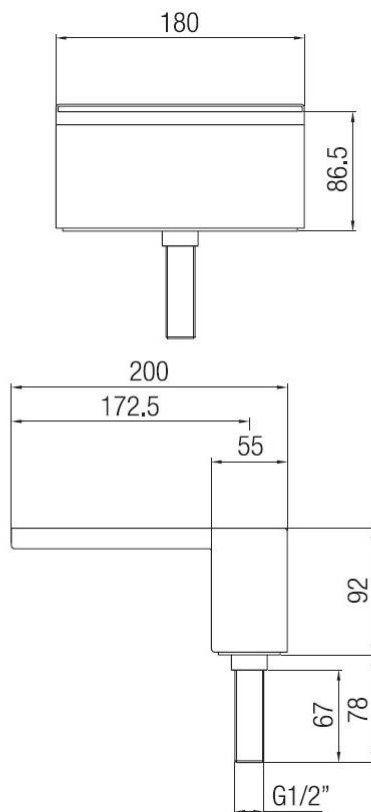
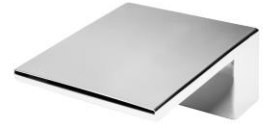
Kitchen mixer with shower washing dishes and tap
Codice: **01036**

FUNCTIONAL DATA

SCOPE OF APPLICATION: bathtub complements

TYPE OF PROJECT: residential

TYPE OF DISPENSING: flat cascade

**CONSTRUCTION DATA**

TYPE OF MATERIAL: stainless steel

TYPE OF FIXING: deck-mounted

SUPPLY CONNECTION: 3/8" stainless steel hose

SPOUT SPACING: 172 mm

AVAILABLE COLOURS

Chrome

Black matt

Satin inox

Graphite

HYDRAULIC PERFORMANCES

OPTIMAL SUPPLY PRESSURE: 3 bar

MAXIMUM HOT WATER TEMPERATURE: 80°

RECOMMENDED MAX. HOT WATER TEMPERATURE:
60°**WARRANTY**

See current price list

MAINTENANCE

DO NOT use scouring pads or cleaning agents containing alcohol, chlorine, acids, abrasives or similar. Use of any of the prohibited cleaning or maintenance products could damage the faucet surface. Use ONLY soap and water to clean the surface, then dry with a cloth or towel. Do not use abrasive or rough sponges.

Porta & Bini reserves the right to make any changes to its products without prior notice. The dimensions depicted within the graphic representations are to be considered indicative and subject to possible variation. If you have any questions, please contact your authorised Porta & Bini supplier.

Porta & Bini Srl Faucet Company

Via per Alzo 60, 28017

San Maurizio d'Opaglio NO

www.portaebini.it