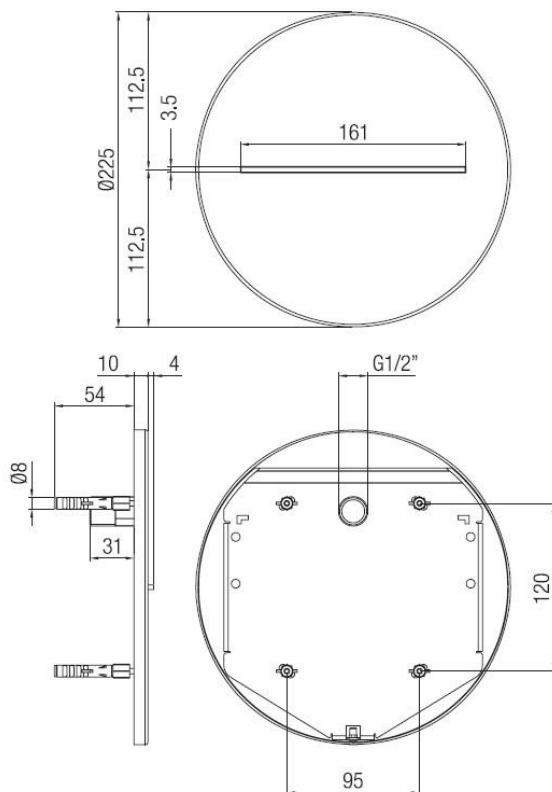


Round flush wall cascade jet  
Codice: **00809****FUNCTIONAL DATA**

SCOPE OF APPLICATION: shower complements

TYPE OF PROJECT: residential

TYPE OF DISPENSING: flat cascade

**CONSTRUCTION DATA**

TYPE OF MATERIAL: stainless steel

TYPE OF FIXING: wall-mounted

SUPPLY CONNECTION: 1/2"

**AVAILABLE COLOURS**

Chrome

Black matt

Satin inox

Graphite

**HYDRAULIC PERFORMANCES**

OPTIMAL SUPPLY PRESSURE: 3 bar

MAXIMUM HOT WATER TEMPERATURE: 80°

RECOMMENDED MAX. HOT WATER TEMPERATURE:  
60°**WARRANTY**

See current price list

**MAINTENANCE**

DO NOT use scouring pads or cleaning agents containing alcohol, chlorine, acids, abrasives or similar. Use of any of the prohibited cleaning or maintenance products could damage the faucet surface. Use ONLY soap and water to clean the surface, then dry with a cloth or towel. Do not use abrasive or rough sponges.

Porta & Bini reserves the right to make any changes to its products without prior notice. The dimensions depicted within the graphic representations are to be considered indicative and subject to possible variation. If you have any questions, please contact your authorised Porta & Bini supplier.

**Porta & Bini Srl Faucet Company**

Via per Alzo 60, 28017

San Maurizio d'Opaglio NO

[www.portaebini.it](http://www.portaebini.it)